

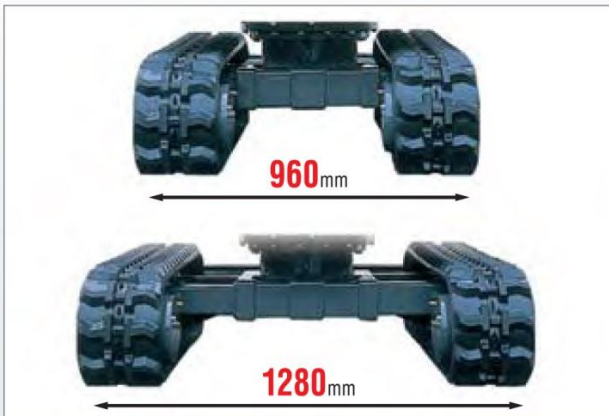
The 1.7-ton zero tail swing machine with spanner possible to access 1m wide areas.

17VX³



Operability

■ Equipped with wide spanner



With the widest ranging spanners in its class, the machine can access into tight spaces to ensure a very high level of work performance.

■ Accessible to 1m wide narrow spaces



The upper structure has a width of 980mm. It can be into space as narrow as 1 meter when the undercarriage is retracted.

■ Quick pattern changer (optional)
Retractable dozer blade extension (optional)



The blade width can be easily adjusted, offering you the flexibility to fit the job. Adjustment is simple and easy with the two fastening pins.

- Powerful bucket digging force : 16.4kN
- Excellent work ability for close-skimming
- Equipped with 3-pump system
- Comfortable joystick control with armrest
- Smallest front radius in its class : 1280mm

Easy Maintenance

■ Wide, fully opening engine-cover enables ease of maintenance



The fully opening engine cover achieves simply maintenance. And the radiator and oil cooler are made of aluminum for super corrosion resistance.

■ Segmented boom cylinder hose design makes replacement easier



- Corrosion-free, resin fuel-tank
- Highly anti-corrosive aluminum radiator

Durability

- Thick rubber shoe provides higher durability
- Rugged steel-pressed, engine cover
- Highly durable blade
- Bucket cylinder hose built inside the arm

Safety

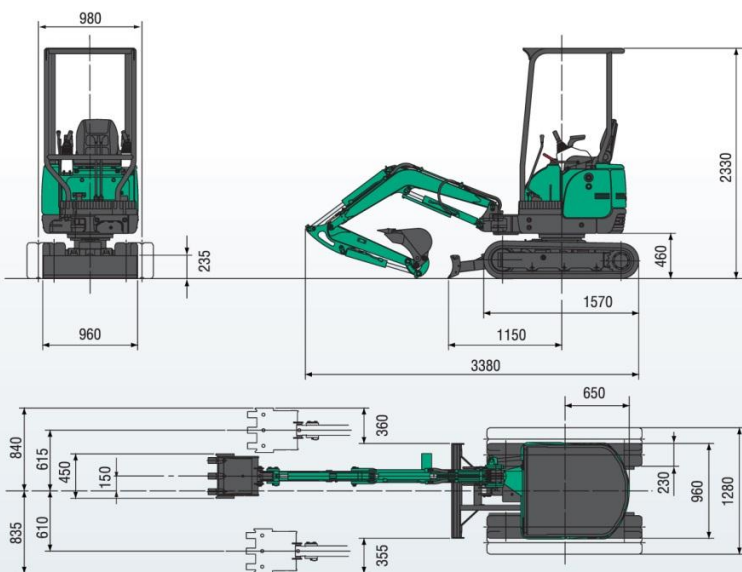
- Swing motor with automatic parking brake
- Gate lock system as standard equipment
- 4-Post canopy (ROPS) as standard equipment

17VX³ Mini Excavator

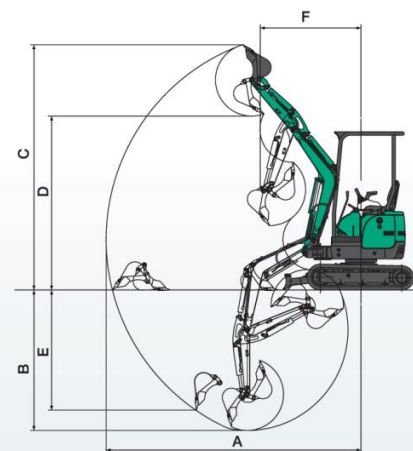
Standard Bucket Capacity : ISO 0.044m³



■ Dimensions (Unit:mm)



■ Working Range (Unit:mm)



	4-Post canopy	2-Post canopy
A Max. digging radius	3760 (3990)	3760 (3990)
B Max. digging depth	2100 (2350)	2100 (2350)
C Max. digging height	3610 (3810)	3610 (3810)
D Max. dumping height	2560 (2760)	2560 (2760)
E Max. vertical digging depth	1770 (2010)	1770 (2010)
F Min. front turning radius	1490 (1580)	1490 (1580)
At right boom swing	1280 (1340)	1280 (1340)

※ () : Figures for long arm

■ 17VX3 Specifications

Performance		Boom swing system	
Bucket capacity	0.044m ³	Type	Boom offset with hydraulic cylinder
Bucket width	450mm	Swing angle (L/R)	80°/55°
Operating weight: 4-Post(Cabin)	1625kg (1595kg)	Hydraulic system	
Transportation weight: 4-Post(Cabin)	1550kg (1520kg)	Pressure	20.6MPa (210kgf/cm ²), 18.1MPa (185kgf/cm ²)
Swing speed	9.5min ⁻¹	Pump hydraulic flow	17.2L/min×2+12L/min
Travel speed (low/high)	2.1/4.0km/h	Dozer blade	
Gradeability	58%(30°)	Size	960mm×235mm
Ground pressure	26.2kPa (0.27kgf/cm ²)	Lift above ground / Drop below ground	275mm/310mm
Max bucket digging force	16.4kN(1670kgf)	Max auxiliary flow	
Engine		Auxiliary line	29L/min
Model	YANMAR 3TNV70		
Rated output	10.5kW/2300min ⁻¹ (14.3PS/2300 rpm)		
Fuel tank capacity	20L		

■ Options

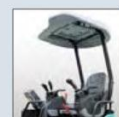
Bucket

- 0.024m³/Digging bucket (300mm width)
- 0.033m³/Long arm bucket (350mm width)
- 0.055m³/Loading bucket (500mm width)

- Auxiliary piping ①
- 2-Post canopy ②
- Additional dozer blade ③
- Rubber pad for steel shoe
- Long arm (standard +250mm)
- Steel shoe (230mm)
- Additional counterweight (100kg)



①



②



③