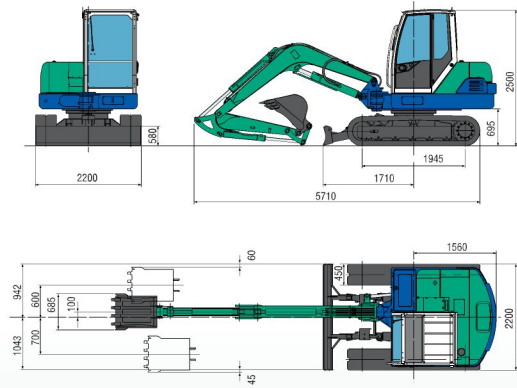
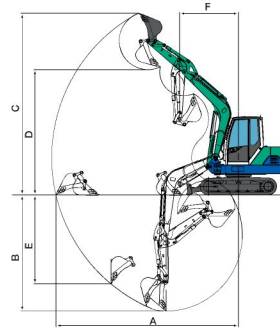


■ Dimensions (Unit:mm)



■ Working Range (Unit:mm)



	Cabin or 4post
A Max. digging radius	6120mm (6420mm)
B Max. digging depth	3650mm (4100mm)
C Max. digging height	5950mm (6190mm)
D Max. dumping height	4110mm (4340mm)
E Max. vertical digging depth	2950mm (3270mm)
F Max. front turning radius	2220mm (2240mm)
At right boom swing	1790mm (1820mm)

※ Cabin : ROPS/TOPS Cabin
 ※ 4Post : ROPS/TOPS Canopy
 ※ () : Figures for long arm



55N

Mini Excavator
 Standard Bucket Capacity : ISO 0.18m³

**Unrivalled Powerful Engine, Stability, Durability.
 5.5ton Conventional Type Mini.**

■ 55N3 Specifications

Model	55N3
• Performance	
Bucket capacity	0.18m ³
Bucket width	685mm
Operating weight : Cabin (4post)	5405kg (5275kg)
Transportation weight : Cabin (4post)	5330kg (5200kg)
Swing speed	9.0min ⁻¹
Travel speed (low/high)	2.6/4.5km/h
Gradeability	58% (30°)
Ground pressure	31kPa
Max.bucket digging force	36.3kN
• Engine	
Model	YANMAR 4TNV98
Rated output	40.8kW(55.5PS)/2400min ⁻¹
Fuel tank capacity	75 L
• Boom swing system	
Type	Boom offset with hydraulic cylinder
Swing angle (L/R)	50° / 90°
• Hydraulic system	
Pressure	20.6MPa
Pump hydraulic flow	64.6L/min x2 + 46.1L/min
• Dozer blade	
Size	2000mm x 370mm
Lift above ground / Drop below ground	370mm / 390mm



4 Post Canopy



Auxiliary Hydraulic Piping



Steel Shoe

■ Options

- Long-arm (standard + 300mm)
- Steel Shoe (400mm)
- Auxiliary hydraulic piping (110L/min)
- Rubber padded crawler
- Steel cab
- TOPS Canopy
- Canopy
- Air conditioner

Bucket	
0.11m ³ / Long arm bucket (485mm width)	
0.14m ³ / Digging bucket (585mm width)	
0.19m ³ / Loading bucket (725mm width)	



New environmentally friendly 3.3L engine.

Engine compliant with gas emission for EC Stage IIIA and EPA Interim Tier4.

Comfortable operating environment.

A wide cabin offer a comfortable space.



Rugged dozer blade.

Equipped rugged dozer blade.



Rugged rear end.

The rear ends became strong and tough by combining of the engine cover thickness of 3.2mm, the rear guards, and the counterweight.

Eco-friendliness and Safety

- Engine compliant with gas emission for EC-Stage IIIA and EPA Interim Tier4.
- Conform to the EC low noise regulation.
- Swing parking brake equipped as standard.

Easy Operation

- Closer distance between bucket and dozer blade.
- Joystick lever control enables precision operation.
- Keeps boom drift at minimal levels.
- Achieves largest operation space in its class.
- A large dozer blade makes bulldozing easier and offers high durability.
- Preeminent stability and preeminent operability are offered because it is a standard machine.

Easy Maintenance

- Sintering metal bush extends greasing interval.
- Aluminum made radiator and oil cooler resist against rusting.
- Segmented boom cylinder hoses for easier replacement.
- Full-opening engine cover for easy maintenance.

Rugged Body

- Embedded boom lamp to prevent damage.
- The engine cover and the side cover are the rugged pressed steel.
- Bucket cylinder hoses are placed inside of arm.
- Equipped rugged dozer blade.

* Auxiliary hydraulic piping is optional