

Operator-friendly, Robust, Powerful, Safety-emphasized.



Operability

Equipped with wide spanner



With the widest ranging spanners in its class, the machine can access into tight spaces to ensure a very high level of work performance.

Direct control system



Extremely small rear-end radius

The rear-end radius of 485mm enables the 9VX3 to swing freely without worry to collide backwards under safer working conditions.

Retractable dozer blade extension (optional)



The blade width can be easily adjusted, offering you the flexibility to fit the job. Adjustment is simple and easy with the two fastening pins.

- Powerful bucket digging force : 10.6kN
- Easy access to operator's seat
- Smallest front swing radius in its class : 950mm

Easy Maintenance

Wide, fully opening engine-cover enables ease of maintenance



Highly anti-corrosive aluminum radiator



Segmented boom cylinder hose design makes replacement easier



Durability

- Thick rubber shoe provides higher durability
- Rugged steel-pressed engine cover
- Highly durable blade
- Bucket cylinder hose built inside the arm

Safety

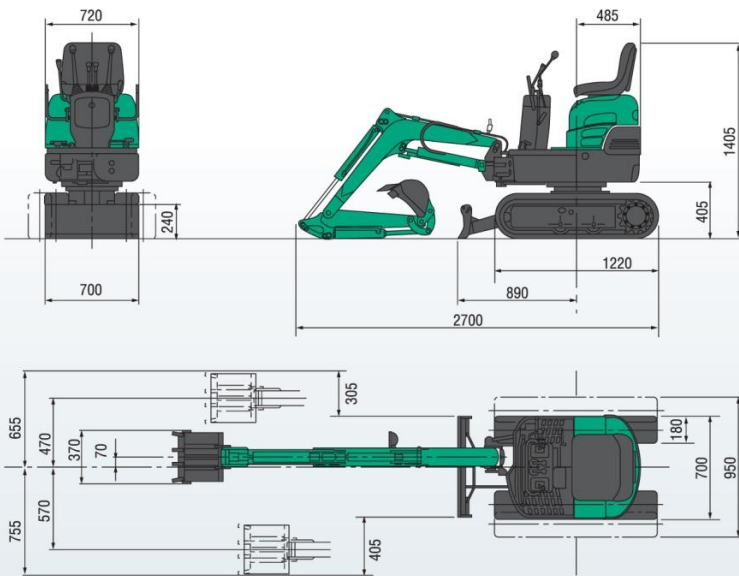
- Swing motor with automatic parking brake
- Gate lock system as standard equipment

9VX3 Mini Excavator

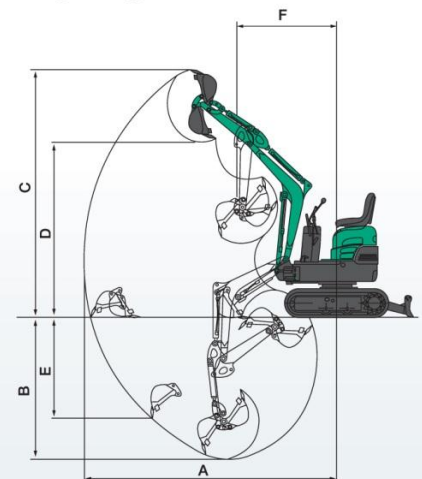
Standard Bucket Capacity : ISO 0.022m³



■ Dimensions (Unit:mm)



■ Working Range (Unit:mm)



A Max. digging radius	2980 (3190)
B Max. digging depth	1570 (1770)
C Max. digging height	2755 (2950)
D Max. dumping height	1970 (2150)
E Max. vertical digging depth	1175 (1400)
F Min. front turning radius	1220 (1320)
At right boom swing	950 (1030)

* () : Figures for long arm

■ 9VX3 Specifications

Performance		Boom swing system	
Bucket capacity	0.022m ³	Type	Boom offset with hydraulic cylinder
Bucket width	370mm	Swing angle (L/R)	90°/50°
Operating weight	965kg	Hydraulic system	
Transportation weight	890kg	Pressure	16.2MPa (165kgf/cm ²)
Swing speed	8.7min ⁻¹	Pump hydraulic flow	11.1L/min×2
Travel speed (low/high)	1.7/3.5km/h	Dozer blade	
Gradeability	58% (30°)	Size	700mm×240mm
Ground pressure	26.2kPa (0.27kgf/cm ²)	Lift above ground / Drop below ground	220mm/150mm
Max bucket digging force	10.6kN (1086kgf)	Max auxiliary flow	
Engine		Auxiliary line	11L/min
Model	Yanmar 2TNV70		
Rated output	7.3kW/2400min ⁻¹ (9.9PS/2400rpm)		
Fuel tank capacity	8.5L		

■ Options

Bucket

- 0.011m³/Digging bucket (220mm width)
- 0.017m³/Long arm bucket (320mm width)

- Auxiliary piping ①
- Gate lock lever ②
- Additional dozer blade ③
- Long arm (standard +200mm)
- Roll bar

