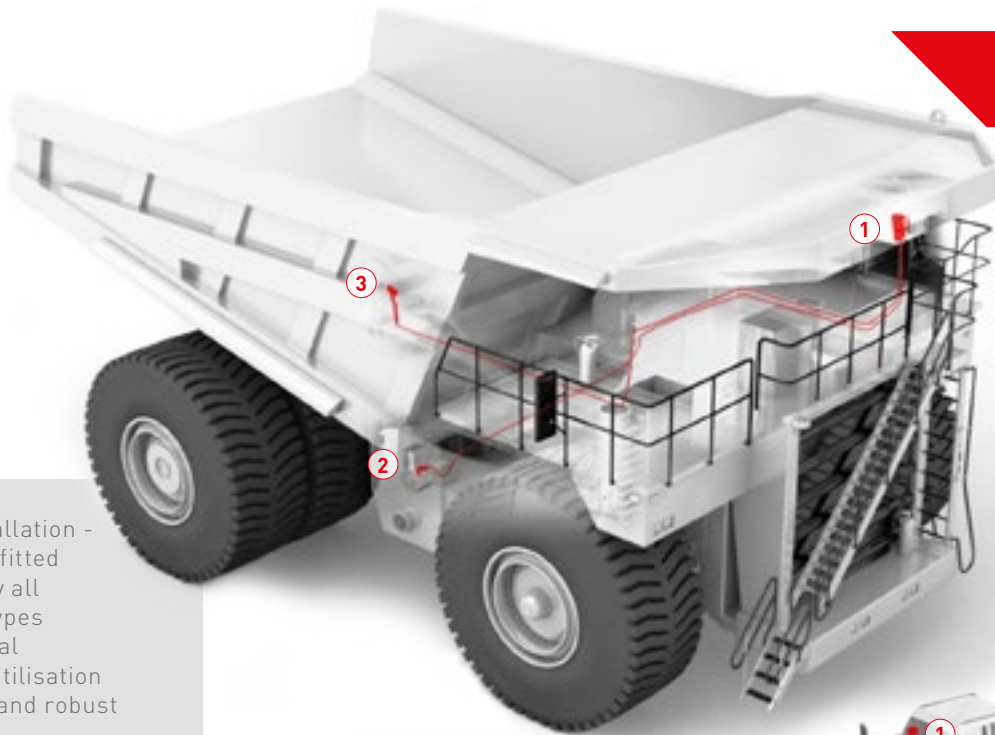


# PFREUNDT dumper scale

For articulated and rigid frame dumpers

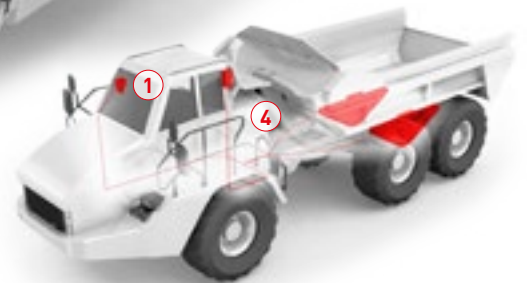
The right solution  
for any dumper!



- Easy installation - also retrofitted
- For nearly all dumper types
- For optimal capacity utilisation
- Accurate and robust



Brief overview



### Electronic weighing system for DW-2 and DW-3

- Proven system for continuous operation
- Simple operation
- Link to the PFREUNDT Web Portal



### Pressure sensor for DW-2

- For weight measurement when unloading
- Oil pressure transducer with overload protection
- Integrated temperature control
- Installation-friendly plug connection



### Weighing range sensor (only DW-2)

- For dynamic continuous weighing
- Reliable definition of the weighing range
- Simple installation



### Load cell DW-3

- For weight measurement during loading
- Mounted on the rear axle
- Highly accurate measurement during loading
- LED signal light shows loading status

# PFREUNDT dumper scale

Everything tightly controlled: Data. Costs. Time.

## Easy.

- Simple installation
- Compact, robust design

## Better.

- For nearly all dumper types
- Individual evaluation functions
- Low capital expenditure

## Weighing.

- Recording overloading
- Weight control
- Accurate record of performance



WK 50

WK 50

see WK 50 data sheet for more information

Dynamic weighing	✓
Legal for trade	—
Display	black/green
Operation	Keypad
Printer connection	✓
USB	✓
WLAN	—
GPRS	—
GSM	✓

## Overview of dumper scale accessories



Printer



PFREUNDT  
Web Portal



pOffice



Weighing tickets



Weighing  
tickets box



GSM



USB